



SAN - O - SUB MBB srl



MADE IN ITALY



CATALOGUE SUB

SAN-O-SUB MBB Via L. da Vinci, 168 - 20090 Trezzano sul Naviglio (Mi) Tel.



SAN - O - SUB MBB srl

Via Leonardo da Vinci 168 , 20090 Trezzano sul Naviglio
(MI) - ITALY - WWW.SANOSUB.COM



SAN-O-SUB MBB was born from the experience of 35 years gained in the field of Equipment for Technical Gases, Pure Gases and Medical Gases.

SAN-O-SUB MBB was created to respond to the continuous demands of the market and to promote in Europe and in the world an experience accumulated in 70 years of completely Italian production activity.

SAN-O-SUB MBB is in fact, a mechanical company with production headquarters still in Italy, founded in Milan in 1934 by the Marchetti family for the production of industrial gearboxes and acetylene bone welding and cutting devices.

60 YEARS OF EXPERIENCE IN DIVING PRODUCTS, PIONEERING CLOSED-CIRCUIT BREATHING APPARATUS Experience born from the relationship in the military field for the ability to produce customer-specific products.

In 1960 it specialized in the manufacture of equipment for the underwater and medical sector, in 1999 it expanded its production capacity in the field of high and low pressure equipment for technical, medical and pure gases.

The ISO9001 - 13485 quality system adopted by SAN-O-SUB MBB is guaranteed by decades of experience in the production sector, by the "made in Italy" and by the collaboration with prestigious bodies, including TUV and BUREAU VERITAS for the certification of the materials produced.

SAN-O-SUB MBB is represented worldwide with local customers and distributors



We manufacture all valves using stamped brass CW 617 N certified. The valves are precisely cut using the latest CNC technologies and then protected with nickel and chrome plating, then assembled and qualitatively checked with special calibration equipment by our experienced staff. The valves are CE EN250 and PED CE 97/23 approved and are supplied with all the necessary declarations. All valves are equipped with gaskets and are assembled with oxygen-compatible lubricants.



BREATHING AIR VALVES M18x1,5 - M25x2 SUB UNI DIN 232 BAR

Code	Description
VS.127.10046	MONO VALVE RIGHT M18X1,5 EN144 232 BAR

Code	Description
VS.160.10064	MONO VALVE SX M25x2 EN 144 232bar
VS.160.10029	MONO VALVE DX M25x2 EN 144 232bar

Code	Description
VS.327.10071	SIDE VALVE DX M25x2 EN144 232bar
VS.327.10072	SIDE VALVE SX M25x2 EN144 232bar

Code	Description
VS.200.10177	MONO VALVE DX TWIN M25x2 EN144 232bar
VS.200.10182	MONO VALVE SX TWIN M25x2 EN144 232bar

Code	Description
VS.511.10082	SECOND OUTLET FOR RIGHT SIDE
VS.511.10081	SECOND OUTLET FOR LEFT SIDE

Code	Description
VS.164.18039	IN LINE VALVESX M25x2 EN144 5/8" 232bar
VS.164.18039A	IN LINE VALVESX M18X1,5 EN144 5/8" 232bar

Code	Description
VS.268.10188	TWIN VALVE M25x2 EN144 232bar

Code	Description
VS.500.10009	MAINFOLD W/O ISOLATIONI:150 Ø:140mm
VS.500.10006	MAINFOLD W/O ISOLATIONI:181 Ø:171mm
VS.500.20006	MAINFOLD W/O ISOLATIONI:190 Ø:180mm
VS.500.10007	MAINFOLD W/O ISOLATIONI:213 Ø:203mm
VS.500.10002	MAINFOLD W/O ISOLATIONI:230 Ø:220mm

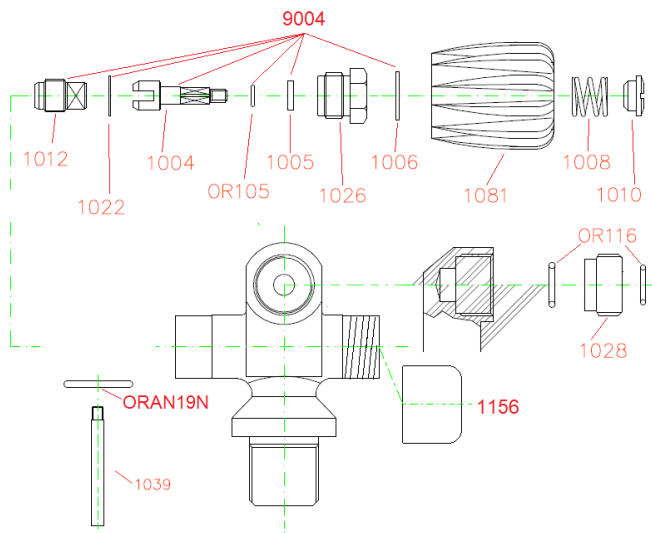
Code	Description
VS.400.10227	COMPLETE MAINFOLD M25x2 EEN144 l:150mm Ø:140mm
VS.400.10189	COMPLETE MAINFOLD M25x2 EEN144 l:184mm Ø:171mm
VS.400.10209	COMPLETE MAINFOLD M25x2 EEN144 l:190mm Ø:180mm
VS.400.10211	COMPLETE MAINFOLD M25x2 EEN144 l:213mm Ø:203mm
VS.400.10212	COMPLETE MAINFOLD M25x2 EEN144 l:230mm Ø:220mm



Code	Description
VS.529.10090	MAINFOLDS WITH ISOLATION l:184mm Ø:171mm 232bar
VS.529.10099	MAINFOLDS WITH ISOLATION l:190mm Ø:180mm 232bar
VS.529.10088	MAINFOLDS WITH ISOLATION l:213mm Ø:203mm 232bar
VS.529.10092	MAINFOLDS WITH ISOLATION l:230mm Ø:220mm 232bar

Code	Description
VS.400.10195	COMPLETE ISOLATION MAINFOLD M25x2 EN144 l:184mm Ø:171mm 232bar ISOL
VS.400.10208	COMPLETE ISOLATION MAINFOLD M25x2 EN144 l:190mm Ø:180mm 232bar ISOL
VS.400.10194	COMPLETE ISOLATION MAINFOLD M25x2 EN144 l:215mm Ø:203mm 232bar ISOL
VS.400.10219	COMPLETE ISOLATION MAINFOLD M25x2 EN144 l:230mm Ø:220mm 232bar ISOL

Cod. articolo	description
1010	MILLED WASHER W3/16
1008	SPRING KNOB(Ø1.4x14.6x13)SX
1081	LONG BLACK RUBBER KNOB
1006	ANTIFRICTION WASHER NYLON KNOB
1026	PAKING NUT G3/8
1005	SHAFT SEAL GASKET M12-1/2"UNF
OR105N	O-RING OR105 NITRILE
1004	STEM FOR M12x1.25
1022	GUARNIZIONE RAME PAKING NUT W3/8
1012	PORTAPASTIGLIA M12x1.25 COMPLETO
9004	KIT RIPARAZIONE M12X1.25
OR116N	O-RING OR116 NITRILE
1028	RACCORDO SECOND STAGE ch8 SCUBA
1156	TAPPO FOR LATERALE M22X1,25 NUOVO MOD.
1039	TUBETTO PESCANTE M6x0.75 OTTONE
ORAN19N	O-RING AN19 NITRILE 4100 90 SH





BREATHING AIR VALVES M18x1,5 M25X2 SUB 300 BAR

Code	Description
VS.109.10118	MONO VALVE SX M18X1,5 EN144 300BAR
VS.109.10118DX	MONO VALVE DX M18X1,5 EN144 300BAR

Code	Description
VS.109.10116	MONO VALVE SX M25x2 EN144 300bar
VS.109.10102	MONO VALVE M25x2 300BAR DESTRO

Code	Description
VS.309.10134	SIDE VALVE DX M25x2 EN144 300bar
VS.309.10133	SIDE VALVE SX M25x2 EN144 300bar

Code	Description
VS.200.10173	MONO VALVE DX TWIN M25x2 EN144 300bar
VS.200.10183	MONO VALVE DX TWIN M25x2 EN144 300bar

Code	Description
VS.549.10130	SECOND OUTLET FOR LEFT SIDE 300bar
VS.549.10129	SECOND OUTLET FOR RIGHT SIDE 300bar

Code	Description
VS.164.18042	IN LINE VALVESX M25x2 EN144 5/8" 300bar

Code	Description
VS.500.10009	MAINFOLD W/O ISOLATIONI:150 Ø:140mm
VS.500.10006	MAINFOLD W/O ISOLATIONI:181 Ø:171mm
VS.500.20006	MAINFOLD W/O ISOLATIONI:190 Ø:180mm
VS.500.10007	MAINFOLD W/O ISOLATIONI:213 Ø:203mm
VS.500.10002	MAINFOLD W/O ISOLATIONI:230 Ø:220mm

Code	Description
VS.529.10090	MAINFOLDS WITH ISOLATION I:184mm Ø:171mm 232bar
VS.529.10099	MAINFOLDS WITH ISOLATION I:190mm Ø:180mm 232bar
VS.529.10088	MAINFOLDS WITH ISOLATION I:213mm Ø:203mm 232bar
VS.529.10092	MAINFOLDS WITH ISOLATION I:230mm Ø:220mm 232bar

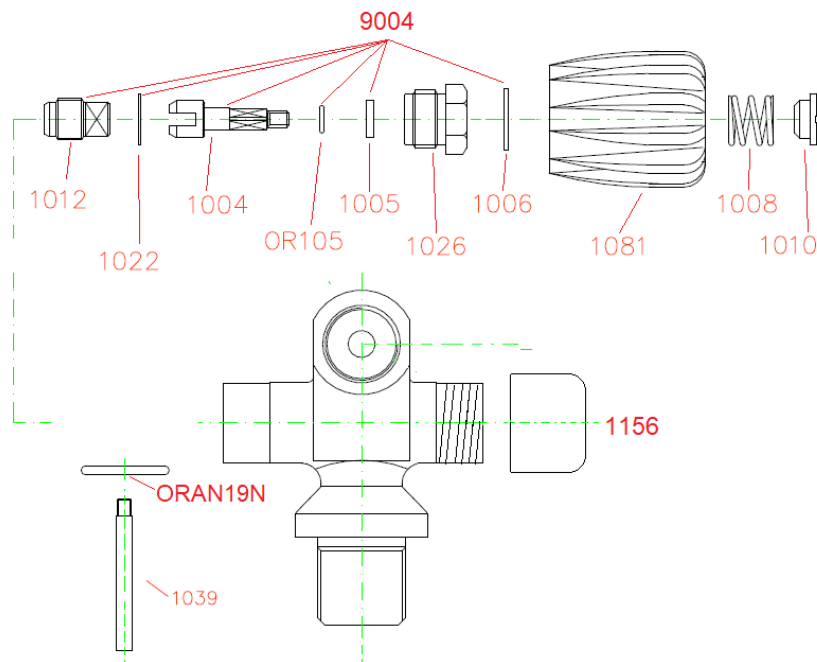
Code	Description
VS.400.10224	MAINFOLD M25x2 EN144 Ø:140mm I:150mm 300bar CAN
VS.400.10191	MAINFOLD M25x2 EN144 Ø:171mm I:184mm 300bar CAN
VS.400.10236	MAINFOLD M25x2 EN144 Ø:180mm I:190mm 300bar CAN
VS.400.10234	MAINFOLD M25x2 EN144 Ø:203mm I:215mm 300bar CAN
VS.400.10186	MAINFOLD M25x2 EN144 Ø:220mm I:230mm 300bar CAN



Code	Description
VS.400.10237	MAINFOLD M25x2 EN144 Ø:140mm l:150mm 300bar ISOL
VS.400.10213	MAINFOLD M25x2 EN144 Ø:171mm l:184mm 300bar ISOL
VS.400.10238	MAINFOLD M25x2 EN144 Ø:180mm l:190mm 300bar ISOL
VS.400.10231	MAINFOLD M25x2 EN144 Ø:203mm l:215mm 300bar ISOL
VS.400.10240	MAINFOLD M25x2 EN144 Ø:220mm l:230mm 300bar ISOL



Cod. articolo	description
1010	MILLED WASHER W3/16
1008	SPRING KNOB(Ø1.4x14.6x13)SX
1081	LONG BLACK RUBBER KNOB
1006	ANTIFRICTION WASHER NYLON KNOB
1026	PAKING NUT G3/8
1005	SHAFT SEAL GASKET M12-1/2"UNF
OR105N	O-RING OR105 NITRILE
1004	STEM FOR M12x1.25
1022	GUARNIZIONE RAME PAKING NUT W3/8
1012	PORTAPASTIGLIA M12x1.25 COMPLETO
9004	KIT RIPARAZIONE M12X1.25
1156	TAPPO FOR LATERALE M22X1,25 NUOVO MOD.
1039	TUBETTO PESCANTE M6x0.75 OTTONE
ORAN19N	O-RING AN19 NITRILE 4100 90 SH





BREATHING AIR VALVES SUB M25X2 M18X1,5 232 BAR BARREL

Code	Description
VS.354.10280	VALVE LAT. DX M18X1,5 232 BAR EN144 BARREL
VS.354.10281	VALVE LAT. SX M18X1,5 232 BAR EN144 BARREL



Code	Description
VS.354.10147	SIDE VALVE SX M25x2 EN144 232bar BARREL
VS.354.10148	SIDE VALVE DX M25x2 EN144 232bar BARREL



Code	Description
VS.254.10177Q	MONO VALVE DX TWIN M25x2 EN144 232bar Q
VS.254.10182Q	MONO VALVE SX TWIN M25x2 EN144 232bar Q



Code	Description
VS.511.10097	SECOND OUTLET FOR RIGHT SIDE 232bar
VS.511.10096	SECOND OUTLET FOR LEFT SIDE 232bar



Code	Description
VS.500.10030	MAINFOLD W/O ISOLATION BARREL l:150mm
VS.500.10031	MAINFOLD W/O ISOLATION BARREL l:184mm
VS.500.10032	MAINFOLD W/O ISOLATION BARREL l:190mm
VS.500.10033	MAINFOLD W/O ISOLATION BARREL l:215mm
VS.500.10034	MAINFOLD W/O ISOLATION BARREL l:226mm



Code	Description
VS.529.10100	MAINFOLD ISOLBAR FOR TWIN TANKS Ø:140mm l:150mm
VS.529.10094	MAINFOLD ISOLBAR FOR TWIN TANKS Ø:171mm l:184mm
VS.529.20007	MAINFOLD ISOLBAR FOR TWIN TANKS Ø:180mm l:190mm
VS.529.10095	MAINFOLD ISOLBAR FOR TWIN TANKS Ø:203mm l:215mm
VS.529.20011	MAINFOLD ISOLBAR FOR TWIN TANKS Ø:220mm l:230mm



Code	Description
VS.400.10235	MAINFOLD M25x2 EN144 Ø:140mm l:150mm 232bar ISOLBAR
VS.400.10228	MAINFOLD M25x2 EN144 Ø:180mm l:190mm 232bar ISOLBAR
VS.400.10222	MAINFOLD M25x2 EN144 Ø:203mm l:215mm 232bar ISOLBAR
VS.400.10233	MAINFOLD M25x2 EN144 Ø:220mm l:230mm 232bar ISOLBAR
VS.400.10239	MAINFOLD M25x2 EN144 Ø:203mm l:215mm 300bar ISOLBAR

BREATHING AIR VALVES M25X2 SUB 300 BAR BARREL

Code	Description
VS.354.10282	SIDE VALVE DX M18X1,5 EN144 300bar BARREL
VS.354.10283	SIDE VALVE SX M18X1,5 EN144 300bar BARREL



Code	Description
VS.354.10152	SIDE VALVE SX M25x2 EN144 300bar BARREL
VS.354.10151	SIDE VALVE DX M25x2 EN144 300bar BARREL



Code	Description
VS.200.10183B	MONO VALVE DX TWIN M25x2 EN144 300bar BARREL
VS.200.10173A	MONO VALVE SX TWIN M25x2 EN144 300bar BARREL



Code	Description
VS.549.11003	SECOND OUTLET FOR RIGHT SIDE 300bar BARREL
VS.549.11004	SECOND OUTLET FOR LEFT SIDE 300bar BARREL



Code	Description
VS.500.10030	MAINFOLD W/O ISOLATION BARREL I:150mm
VS.500.10031	MAINFOLD W/O ISOLATION BARREL I:184mm
VS.500.10032	MAINFOLD W/O ISOLATION BARREL I:190mm
VS.500.10033	MAINFOLD W/O ISOLATION BARREL I:215mm



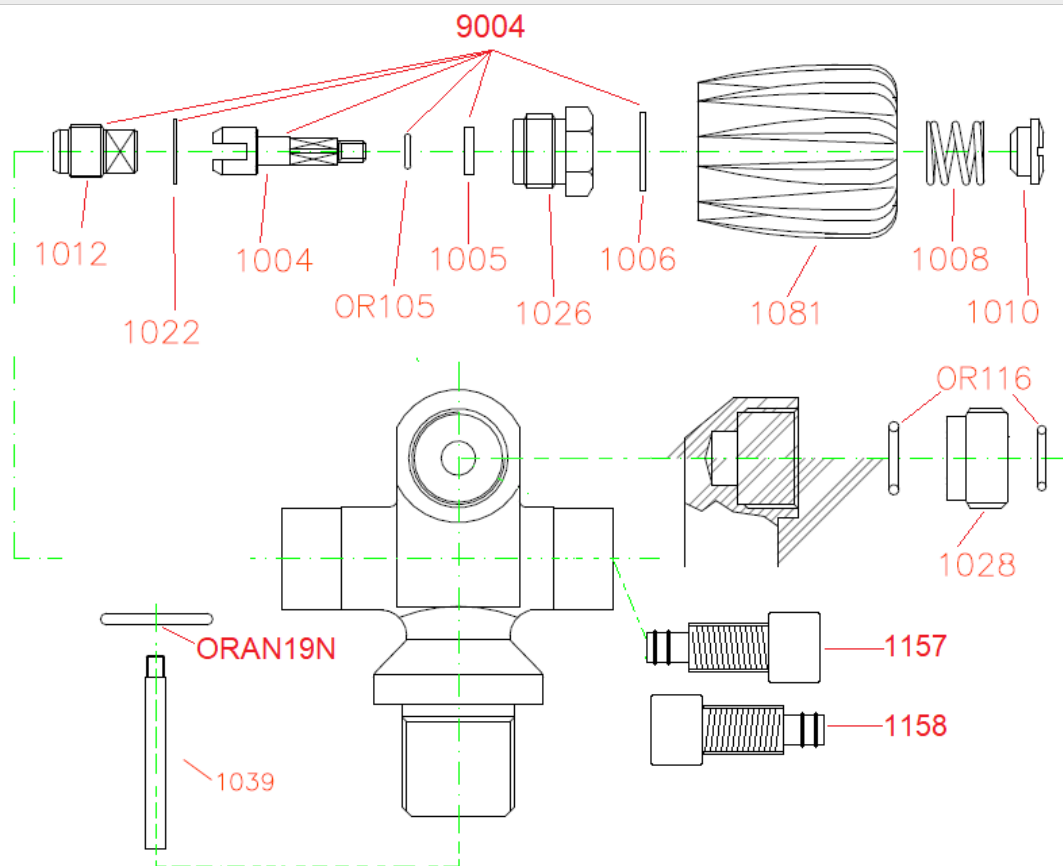
Code	Description
VS.529.10100	MAINFOLD ISOLBAR FOR TWIN TANKS Ø:140mm I:150mm
VS.529.10094	MAINFOLD ISOLBAR FOR TWIN TANKS Ø:171mm I:184mm
VS.529.20007	MAINFOLD ISOLBAR FOR TWIN TANKS Ø:180mm I:190mm
VS.529.10095	MAINFOLD ISOLBAR FOR TWIN TANKS Ø:203mm I:215mm
VS.529.20011	MAINFOLD ISOLBAR FOR TWIN TANKS Ø:220mm I:230mm



Code	Description
VS.400.10192	MAINFOLD M25x2 EN144 Ø:140mm I:150mm 300bar ISOLBAR
VS.400.10232	MAINFOLD M25x2 EN144 Ø:171mm I:184mm 300bar ISOLBAR
VS.400.10226	MAINFOLD M25x2 EN144 Ø:180mm I:190mm 300bar ISOLBAR
VS.400.10239	MAINFOLD M25x2 EN144 Ø:203mm I:215mm 300bar ISOLBAR
VS.400.10230	MAINFOLD M25x2 EN144 Ø:220mm I:230mm 300bar ISOLBAR



Cod. articolo	description
1010	MILLED WASHER W3/16
1008	SPRING KNOB(Ø1.4x14.6x13)SX
1081	LONG BLACK RUBBER KNOB
1006	ANTIFRICTION WASHER NYLON KNOB
1026	PAKING NUT G3/8
1005	SHAFT SEAL GASKET M12-1/2"UNF
OR105N	O-RING OR105 NITRILE
1004	STEM FOR M12x1.25
1022	GUARNIZIONE RAME PAKING NUT W3/8
1012	PORTAPASTIGLIA M12x1.25 COMPLETO
9004	KIT RIPARAZIONE M12X1.25
OR116N	O-RING OR116 NITRILE
1028	RACCORDO SECOND STAGE ch8 SCUBA
1157	TAPPO LATERALE DX TOROIDALE
1158	TAPPO LATERALE SX TOROIDALE
1039	TUBETTO PESCANTE M6x0.75 OTTONE
ORAN19N	O-RING AN19 NITRILE 4100 90 SH



VALVES FOR NITROX M18X1,5 M25X2 SUB 232 BAR

Code	Description
VS.109.10117A	MONO VALVE DX M18X1,5 26X2 NITROX



Code	Description
VS.109.10250	MONO VALVE DX M25x2 EN144 26x2 232bar NTX
VS.109.10157	MONO VALVE SX M25x2 EN144 26x2 232bar NTX



Code	Description
VS.309.10156	SIDE VALVE DX M25x2 EN144 232bar NTX M26x2
VS.309.10155	SIDE VALVE SX M25x2 EN144 232bar NTX M26x2



Code	Description
VS.200.10187	MONO VALVE DX TWIN M25x2 EN144 NTX M26x2



Code	Description
VS.549.10099	SECOND OUTLET RIGHT SIDE M26x2 NTX EN144
VS.549.10098	SECOND OUTLET LEFT SIDE M26x2 EN144



Code	Description
VS.164.18037	IN LINE VALVE 25x2 EN144/3 26x2 232 NTX



Code	Description
VS.500.10009	MAINFOLD W/O ISOLATIONI:150 Ø:140mm
VS.500.10006	MAINFOLD W/O ISOLATIONI:181 Ø:171mm
VS.500.20006	MAINFOLD W/O ISOLATIONI:190 Ø:180mm
VS.500.10007	MAINFOLD W/O ISOLATIONI:213 Ø:203mm
VS.500.10002	MAINFOLD W/O ISOLATIONI:230 Ø:220mm

Code	Description
VS.529.10090	MAINFOLDS WITH ISOLATION I:184mm Ø:171mm
VS.529.10099	MAINFOLDS WITH ISOLATION I:190mm Ø:180mm
VS.529.10088	MAINFOLDS WITH ISOLATION I:213mm Ø:203mm
VS.529.10092	MAINFOLDS WITH ISOLATION I:230mm Ø:220mm



Code	Description
VS.400.10225	MAINFOLD M25x2 EN144/3 26x2 Ø:171mm I:184mm NTX ISOL
VS.400.10225A	MAINFOLD M25x2 EN144/3 26x2 Ø:203mm I:204mm NTXISOL





VALVES FOR NITROX M25X2 SUB 300 BAR

Code	Description
VS.109.10107	MONO VALVE M25x2 EN144/3 26x2 NTX 300bar



Code	Description
VS.309.10380	SIDE VALVE SX M25x2 EN144 300bar NTX M26x2
VS.309.10381	SIDE VALVE DX M25x2 EN144 300bar NTX M26x2



Code	Description
VS.549.11002	SECOND OUTLET FOR RIGHT SIDE M26x2 300bar
VS.549.11001	SECOND OUTLET FOR LEFT SIDE M26x2 300bar

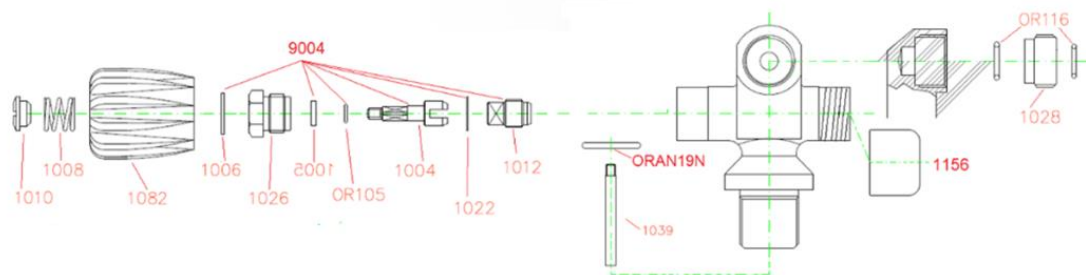


Code	Description
VS.164.18037B	IN LINE VALVE 25x2 EN144/3 26x2 300 NTX



Code	Description
VS.500.10009	MAINFOLD W/O ISOLATIONI:150 Ø:140mm
VS.500.10006	MAINFOLD W/O ISOLATIONI:181 Ø:171mm
VS.500.20006	MAINFOLD W/O ISOLATIONI:190 Ø:180mm
VS.500.10007	MAINFOLD W/O ISOLATIONI:213 Ø:203mm
VS.500.10002	MAINFOLD W/O ISOLATIONI:230 Ø:220mm

Cod. articolo	description
1010	MILLED WASHER W3/16
1008	SPRING KNOB(Ø1.4x14.6x13)SX
1082	MANOPOLA GOMMA VERDE LUNGO
1006	ANTIFRICTION WASHER NYLON KNOB
1026	PAKING NUT G3/8
1005	SHAFT SEAL GASKET M12-1/2"UNF
OR105V	O-RING OR105 NITRILE
1004	STEM FOR M12x1.25
1022	GUARNIZIONE RAME PAKING NUT W3/8
1012	PORTAPASTIGLIA M12x1.25 COMPLETO
9004	KIT RIPARAZIONE M12X1.25
OR116V	O-RING OR116 VITRON
1028	RACCORDO SECOND STAGE ch8 SCUBA
1156	TAPPO FOR LATERALE M22X1,25 NUOVO MOD.
1039	TUBETTO PESCANTE M6x0.75 OTTONE
ORAN19N	O-RING AN19 NITRILE 4100 90 SH





BREATHING AIR VALVES SUB ¾ NPSM 232 BAR

Code	Description
VS.160.10109	MONO VALVE SX 3/4NPSM 232bar

Code	Description
VS.361.10126	SIDE VALVE DX 3/4NPSM 232bar
VS.361.10125	SIDE VALVE SX 3/4NPSM 232bar

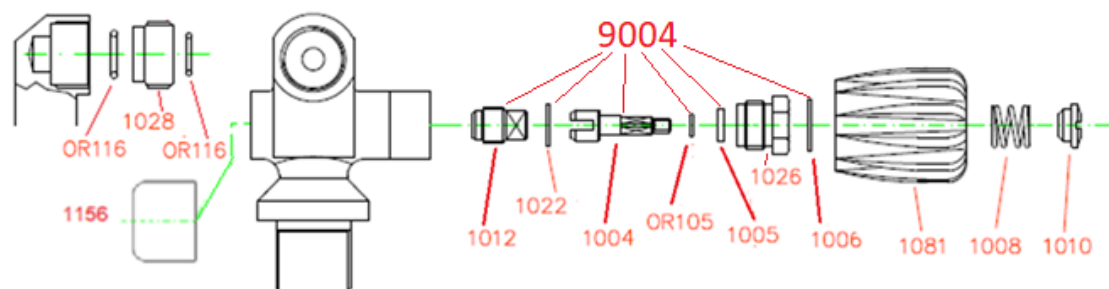
Code	Description
VS.200.10178	MONO VALVE DX TWIN 3/4NPSM 232bar

Code	Description
VS.511.10082	SECOND OUTLET FOR RIGHT SIDE
VS.511.10081	SECOND OUTLET FOR LEFT SIDE

Code	Description
VS.500.10009	MAINFOLD W/O ISOLATIONI:150 Ø:140mm
VS.500.10006	MAINFOLD W/O ISOLATIONI:181 Ø:171mm
VS.500.20006	MAINFOLD W/O ISOLATIONI:190 Ø:180mm
VS.500.10007	MAINFOLD W/O ISOLATIONI:213 Ø:203mm
VS.500.10002	MAINFOLD W/O ISOLATIONI:230 Ø:220mm

Code	Description
VS.529.10090	MAINFOLDS WITH ISOLATION I:184mm Ø:171mm
VS.529.10099	MAINFOLDS WITH ISOLATION I:190mm Ø:180mm
VS.529.10088	MAINFOLDS WITH ISOLATION I:213mm Ø:203mm
VS.529.10092	MAINFOLDS WITH ISOLATION I:230mm Ø:220mm

Cod. articolo	description
1010	MILLED WASHER W3/16
1008	SPRING KNOB(Ø1.4x14.6x13)SX
1081	LONG BLACK RUBBER KNOB
1006	ANTIFRICTION WASHER NYLON KNOB
1026	PAKING NUT G3/8
1005	SHAFT SEAL GASKET M12-1/2"UNF
OR105N	O-RING OR105 NITRILE
1004	STEM FOR M12x1.25
1022	GUARNIZIONE RAME PAKING NUT W3/8
1012	PORTAPASTIGLIA M12x1.25 COMPLETO
1156	TAPPO FOR LATERALE M22X1,25 NUOVO MOD.
OR116V	O-RING OR116 VITRON
1028	RACCORDO SECOND STAGE ch8 SCUBA
9004	KIT RIPARAZIONE M12X1.25





VALVES FOR BREATHING AIR SUB ¾ NPSM BARREL WITH BROKEN DISC

Code	Description
VS.354.10159	SIDE VALVE SX 3/4NPSM 3/8P. BARREL C/DISP 5000psi
VS.354.10160	SIDE VALVE DX 3/4NPSM 3/8P. BARREL C/DISP 5000psi
VS.361.10161	SIDE VALVE SX 3/4G 3/8P BARREL 300bar C/D 5500psi
VS.361.10162	SIDE VALVE DX 3/4G 3/8P BARREL 300bar C/D 5500psi

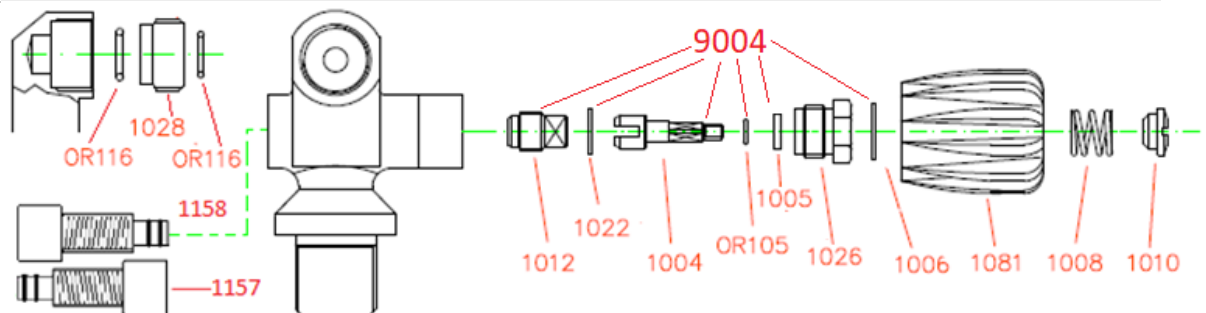
Code	Description
VS.500.10030	MAINFOLD W/O ISOLATION BARREL I:150mm
VS.500.10031	MAINFOLD W/O ISOLATION BARREL I:184mm
VS.500.10032	MAINFOLD W/O ISOLATION BARREL I:190mm
VS.500.10033	MAINFOLD W/O ISOLATION BARREL I:215mm
VS.500.10034	MAINFOLD W/O ISOLATION BARREL I:226mm



Code	Description
VS.529.10100	MAINFOLD ISOLBAR FOR TWIN TANKS Ø:140mm I:150mm
VS.529.10094	MAINFOLD ISOLBAR FOR TWIN TANKS Ø:171mm I:184mm
VS.529.20007	MAINFOLD ISOLBAR FOR TWIN TANKS Ø:180mm I:190mm
VS.529.10095	MAINFOLD ISOLBAR FOR TWIN TANKS Ø:203mm I:215mm
VS.529.20011	MAINFOLD ISOLBAR FOR TWIN TANKS Ø:220mm I:230mm



Cod. articolo	description
1010	MILLED WASHER W3/16
1008	SPRING KNOB(Ø1.4x14.6x13)SX
1081	LONG BLACK RUBBER KNOB
1006	ANTIFRICTION WASHER NYLON KNOB
1026	PAKING NUT G3/8
1005	SHAFT SEAL GASKET M12-1/2"UNF
OR105N	O-RING OR105 NITRILE
1004	STEM FOR M12x1.25
1022	GUARNIZIONE RAME PAKING NUT W3/8
1012	PORTAPASTIGLIA M12x1.25 COMPLETO
1157	TAPPO LATERALE DX TOROIDALE
1158	TAPPO LATERALE SX TOROIDALE
OR116V	O-RING OR116 VITRON
1028	RACCORDO SECOND STAGE ch8 SCUBA
9004	KIT RIPARAZIONE M12X1.25



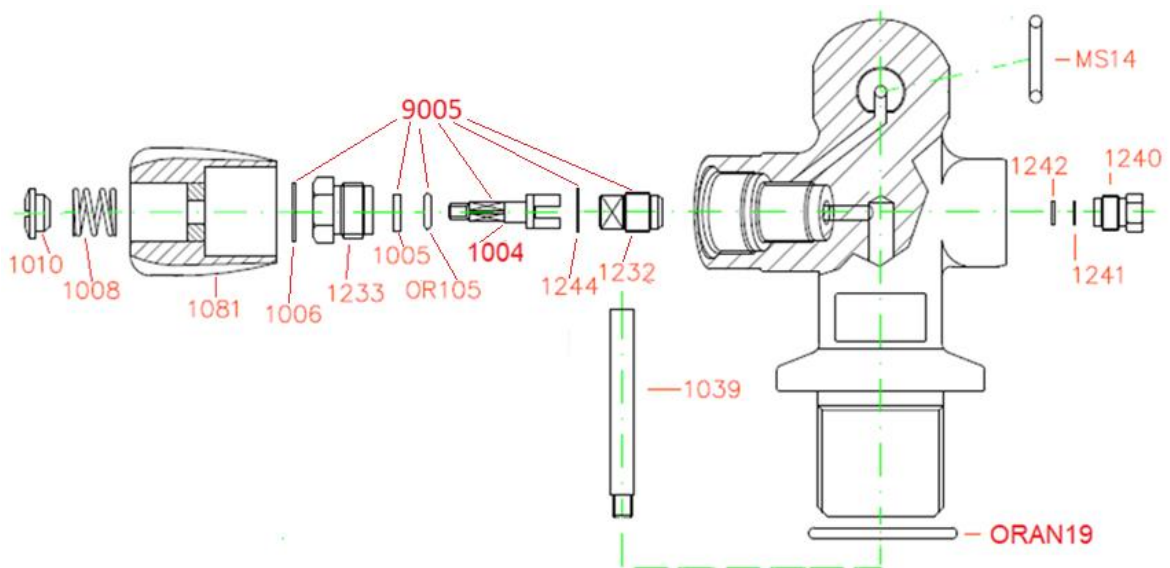
BREATHING AIR VALVES SUB ¾ NPSM WITH BROKEN DISC

Code	Description
VS.114.10301	MONO VALVE 3/4NPSM CGA850 5000psi C/DISP
VS.114.10303	MONO VALVE 3/4NPSM DIN/K CGA 5000ps C/DISP
VS.114.10303N	MONO VALVE 3/4NPSM DIN/K CGA 5000ps C/DISP NITROX
VS.121.10306	MONO VALVE 3/4NPSM DIN/K CGA850 5000p C/DISP

VS.121



Cod. articolo	description
1240	TAPPO 3/8 UNF FOR DISCO DI ROTTURA
1241	DISCO DI ROTTURA 5000 PSI FOR 3/8 UNF
1242	GUARNIZIONE FOR DISCO DI ROTTURA 3/8 UNF
1232	PORTAPASTIGLIA 1/2 UNF COMPLETO
1244	GUARNIZIONE RAME PAKING NUT 11/16 UNF
1004	STEM FOR M12x1.25
OR105N	O-RING OR105 NITRILE
1005	SHAFT SEAL GASKET M12-1/2"UNF
1233	PAKING NUT 11/16 UNF
1006	ANTIFRICTION WASHER NYLON KNOB
1081	LONG BLACK RUBBER KNOB
1008	SPRING KNOB(Ø1.4x14.6x13)SX
1010	MILLED WASHER W3/16
ORMS14N	O-RING MS14 NITRILE 2050 90 SHORE
ORAN20N	O-RING AN20 NITRILE (4106)
1039	TUBETTO PESCANTE M6x0.75 OTTONE
9005	KIT 1232-1224-1004-OR105V-1005-1006





BREATHING AIR VALVES SUB ¾ WITH CAVE

Code	Description
VS.121.10310	MONO VALVE 3/4NPSM+RAC.SCUBA RICAVATO 232b
VS.160.10115	MONO VALVE SX 3/4NPSM C-CAVA 232bar
VS.200.10180	MONO VALVE DX TWIN 3/4NPSM 232bar W/CAVE
VS.200.10181	MONO VALVE SX TWIN. 3/4NPSM WITH CAVE
VS.361.10136	SIDE VALVE DX 3/4NPSM 232bar W/CAVE
VS.361.10137	SIDE VALVE SX 3/4NPSM 232bar W/CAVE
VS.400.10206	MAINFOLD 3/4NPSM I:184 232bar CAN W/CAVE
VS.400.10215	MAINFOLD 3/4NPSM I:184 232ba ISOL W/CAVE

VALVES WITH RESERVE AND SPECIAL THREADS

Code	Description
VS.105.10021	MONO VALVE M25x2 EN144 232bar WITH RESERVE
VS.105.10024	MONO VALVE M25x2 EN144 232bar TWIN WITH RESERVE
vs.109.10106	MONO VALVE M25x2 EN144 300bar WITH RESERVE
VS.105.10022	MONO VALVE 3/4 NPSM 232bar WITH RESERVE
VS.105.10025	MONO VALVE 3/4 NPSM 232bar TWIN WITH RESERVE
vs.105.10022A	MONO VALVE 3-4 NPSM EN144 300bar WITH RESERVE
VS.400.10196	MAINFOLD M25x2 EN144 I:184mm 232bar WITH RESERVE

Code	Description
VS.309.10139	VALVE LEFT SIDE G25E
VS.309.10138	VALVE RIGHT SIDE G25E
VS.327.10077	VALVE RIGHT SIDE G17E
VS.327.10073	VALVE LEFT SIDE G17E

All valves are equipped with gaskets and are assembled with compatible FOR oxygen lubricants. The valves connect to the tank with 3/4NPSM fittings and exit with the INT or DIN/INT system. All Sub 3/4npsm valves are DOT approved (4500-5000-5500 PSI).





EXTRA AIR



Code	Description
BO.400.15230	EXTRAIR 0,5L SET COMPLETO DIRETTO
BO.400.15400	EXTRAIR PRO SET COMPLETO CON HOSES



It works like this: It is a half-liter tank with mini-regulator and integrated first stage, demand valve with mouthpiece and automatic refill valve. Breathing takes place as with a normal regulator and can be facilitated by the purge valve. It is also easy to recharge by connecting the automatic refill valve to the supplied adapter and an air supply. Charging takes less than 60 seconds and the pressure can be controlled by the pressure gauge on the adapter.

Code	Description
BO.400.15500	NAUTIC BAG COMPLETE KIT



The Nautic Bag consists of a 5-liter tank Kit code 15500 with a first stage regulator and a second stage with pressure gauge, all in a comfortable padded nylon bag with adjustable shoulder straps.

It is commonly used on FOR rescue boats for emergency situations, such as stuck anchors. The practical bag also has FOR l'Extrain space if desired.



5 - 7 L

EMERGENCY SCUBA TANKS OXYRESCUE

Oxyrescue is an easy-to-use device for the delivery of pure and compressed oxygen.

The integrated multifunction valve is made of the best materials compatible with oxygen, and is the result of many years of research by Sanosub in this field. Its weight and limited size make it perfect for all emergency centers, even on boats and dive centers.

Oxygen cylinder 3, 5 or 7 liters

Flow reducer FOR oxygen cylinders FOR all sizes with suction valve FOR continuous oxygen administration from 0-30 L / m and high concentration mask with collection tank and transparent silicone mask with FOR request valve dispensing as needed.

altri attacchi disponibili a richiesta

entry25 E - 17e

output UNI - NF - DIN - BS - CGA - PININDEX

Code	Description
CO.400.18007	OXYGEN RESCUE TANK COMPLETE 3L WITH 1 SILICONE MASK AND BAG
CO.400.18006	OXYGEN RESCUE TANK COMPLETE 5L WITH TWO SILICONE MASKS AND HARD
CO.400.18008	OXYGEN RESCUE TANK COMPLETE 7L WITH TWO SILICONE MASKS AND HARD CASE

SCUBA TANKS X OSSIGENO/MISCELE ATTACCO DIN



Code	Description
BO.300.15200	SCUBA TANKS ALLUM O2-mix 0.5L VAL. DIN
BO.300.15201	SCUBA TANKS TRATT. SUB O2-mix 1L VAL. DIN
BO.300.15202	SCUBA TANKS TRATT. SUB O2-mix 2L VAL. DIN
BO.300.15203	SCUBA TANKS TRATT. SUB O2-mix 3L VAL. DIN
BO.300.15207	SCUBA TANKS TRATT. SUB O2-mix 7L VAL. DIN
BO.300.15210	SCUBA TANKS TRATT. SUB O2-mix 10L VAL. DIN

Resuscitation case

SCUBA TANKS di ossigeno 2 litri (senza carica), Riduttore di pressione a Pistone Bilanciato con la regolazione a scatti FOR l'erogazione del flusso in uscita. Il portagomma è orientabile a 360° facilitando l'inserimento della cannula nasale e/o mascherina.

AMBU, cannule, mascherina FOR adulti con venturi, mascherina Ossigeno Pediatrica, leva apertura della bocca, pinza FOR la lingua coperta termica

IMPORTANTE: FOR le norme sanitarie l'acquirente riceve la SCUBA TANKS di gas vuota. FOR la sua ricarica, dovrà chiamare un'impresa autorizzata alla vendita di ossigeno.

Code	Description
CO.400.18005	FULL RESUSCITATION SUITCASE SCUBA TANKS, AMBU, CANULES, MASKS



Reducer with snap-on SECOND STAGE with mask

Balanced Piston pressure reducer with FOR jerky regulation to deliver the output flow. The hose holder can be rotated 360° facilitating the insertion of the nasal cannula and / or mask.



Code	Description
RO.300.12206UNI	DOSATORE O2 UNI 0-30L/m C/USC 5bar+Maschera
RO.300.12206DIN6	DOSATORE O2 DIN6 0-30L/m C/US 5bar+Maschera
RO.300.12206DINSCUBA	DOSATORE O2 DIN 5/8 0-30L/m C/US 5bar+Maschera
RO.300.12206M26	DOSATORE O2 M26X2 N 0-30L/m C/US 5bar+Maschera
RO.300.12206NF	DOSATORE O2 NF 0-30L/m C/USC 5bar+Maschera
CO.400.18011	SEMIMASCHERA SILICONE C/VALV. A DOMANDA
CO.400.18012	SEMIMASCHERA SILICONE TRASPARENTE

ACCESSORIES FOR SCUBA TANKS

HARD CASE FOR TRANSPORT SCUBA TANKS 5 AND 7 L

Code	Description
CO.100.18041	HARD CASE FOR SCUBA TANKS It.5
CO.100.18042	HARD CASE FOR SCUBA TANKS It.7

Custodia rigida FOR il trasporto SCUBA TANKS da lt. 5 e 7

BAGS FOR TRANSPORT SCUBA TANKS 5 AND 7 L



Code	Description
CO.100.18040	Borsa FOR SCUBA TANKS da 1/2 lt.
CO.100.18043	Borsa FOR SCUBA TANKS da 3 lt.

bag carrying on the shoulder SCUBA TANKS da lt. 1/2/3

INOX DISK MEDICAL USE



Code	Description
2105	CONICAL INOX DISK FOR MEDICAL USE
2106	INOX DISK FOR MEDICAL USE

INOX DISK FOR SCUBA TANKS Medical Oxygen

SEAL CAP FOR GROUP



Code	Description
CO.100.18080	SEAL FOR HOSE HOLDER GROUP

Seal cap for dosing valve group

SCUBA TANKS ARIA SUB STEEL 200BAR



Cod. articolo	description
BO.400.15240	MONOSCUBA TANKS ARIA 5L MONOATT Ø 140
BO.400.15239	MONOSCUBA TANKS ARIA 7L MONOATT Ø 140
BO.400.15239A	MONOSCUBA TANKS ARIA 8.5L MONOATT Ø 140
BO.400.15242	MONOSCUBA TANKS ARIA 10L MONOATT Ø 171
BO.400.15245	MONOSCUBA TANKS ARIA 12L MONOATT Ø 171
BO.400.15244	MONOSCUBA TANKS ARIA 10L MONOATT 300bar Ø 171
BO.400.15248	MONOSCUBA TANKS ARIA 12L Ø171 MONOATT Ø 171
BO.400.15251	MONOSCUBA TANKS ARIA 15L
BO.400.15254	MONOSCUBA TANKS ARIA 18L
CS.400.15916	HARNESS SCUBA TANKS DI FASE



Code	Description
BO.400.15243	MONOSCUBA TANKS ARIA 10L TWIN Ø 171
BO.400.15249	MONOSCUBA TANKS ARIA 12L Ø:171mm TWIN
BO.400.15246	MONOSCUBA TANKS ARIA 12L TWIN
BO.400.15252	MONOSCUBA TANKS ARIA 15L TWIN Ø 203
BO.400.15255	MONOSCUBA TANKS ARIA 18L TWIN 220bar Ø 220
BO.400.15244A	MONOSCUBA TANKS ARIA 10L TWIN 300bar Ø 171
CS.400.15916	PHASE SCUBA TANKS HARNESS

TWIN SCUBA TANKS AIR SUB STEEL 200 BAR STEEL BADS ASI 316



CODE	Description
BO.400.15259	TWIN SCUBA TANKS ARIA 7+7L ISOL STEEL BANDS
BO.400.15265	BISCUBA TANKS ARIA 8,5+8,5L ISOL STEEL BANDS
BO.400.15262	BISCUBA TANKS ARIA 10+10L ISOL STEEL BANDS
BO.400.15272	BISCUBA TANKS ARIA 12+12L Ø171 ISOL STEEL BANDS
BO.400.15277	BISCUBA TANKS ARIA 15+15L ISOL STEEL BANDS
BO.400.15282	BISCUBA TANKS ARIA 18+18L 220bar ISOL STEEL BANDS

TWIN SCUBA TANKS AIR SUB STEEL 200 BAR BOOTS



CODE	Description
BO.400.15264	TWIN TANKS ARIA 10+10L W/O ISOL BOOTS
BO.400.15274	TWIN TANKS ARIA 12+12L W/O ISOL BOOTS
CS.400.15915	COMPLETE HARNESS x TWIN TANKS



ACCESSORY SCUBA TANKS



Code	Description
CS.400.15929	INOX BANDS MONO Ø140
CS.400.15932	INOX BANDS TWIN TANKS Ø140-60mm INT.150
CS.400.15932A	INOX BANDS TWIN TANKS Ø140-60mm INT.184
CS.400.15928	INOX BANDS TWIN TANKS Ø150-60mm INT.160
CS.400.15928A	INOX BANDS TWIN TANKS Ø150-60mm INT.184
CS.400.15930	INOX BANDS TWIN TANKS Ø171-60mm INT.184
CS.400.15933	INOX BANDS TWIN TANKS Ø180-60mm INT.190
CS.400.15933A	INOX BANDS TWIN TANKS Ø180-60mm INT.215
CS.400.15931	INOX BANDS TWIN TANKS Ø203 -60mm INT.215
CS.400.15934	INOX BANDS TWIN TANKS Ø216-60mm INT.230

SINGLE BOOTS FOR SCUBA TANKS PVC



Code	Description
CS.400.15820	BOOTS Ø110 FOR SCUBA TANKS 3L
CS.400.15822	BOOTS Ø140 FOR SCUBA TANKS 5-7L
CS.400.15826	BOOTS Ø171 FOR SCUBA TANKS 10L 12L
CS.400.15827	BOOTS Ø180 FOR SCUBA TANKS
CS.400.15829	BOOTS Ø203 FOR SCUBA TANKS 15-18L
CS.400.15834	BOOTS Ø171 VERDE FOR SCUBA TANKS
CS.400.15835	BOOTS Ø203 VERDE FOR SCUBA TANKS

TWIN BOOT SCUBA TANKS PVC



Code	Description
CS.400.15831	BOOTS Ø140 FOR BISCUBA TANKS 7+7L
CS.400.15833	BOOTS Ø171 FOR BISCUBA TANKS 10+10L

PROTECTION NETS SCUBA TANKS NYLON



Code	Description
CS.400.15800	PROTECTION NETS FOR SCUBA TANKS 10L Ø171 LUNG 65cm
CS.400.15803	PROTECTION NETS FOR SCUBA TANKS 12L Ø203 LUNG 67cm
CS.400.15801	PROTECTION NETS FOR SCUBA TANKS 12L Ø171 LUNG 75cm
CS.400.15802	PROTECTION NETS FOR SCUBA TANKS 15L Ø203 LUNG 75cm
CS.400.15804	PROTECTION NETS FOR SCUBA TANKS 18L LUNG 75cm

ACCESSORY



Code	Description
CS.400.15920	FULL BLACK FOLDING HANDLE
CS.400.15900	PLASTIC BACKREST WITHOUT STRAPS MONO
CS.400.15904	BACKREST WITH FIXED HARNESS MONO
CS.400.15903	BACKREST WITH ADJUSTABLE HARNESS MONO
CS.400.15915	COMPLETE HARNESS x TWIN TANKS
CS.400.15916	PHASE SCUBA TANKS HARNESS

SELF-CONTAINED BREATHING APPARATUS REBREATER

Code	Description
AR.130.16001	AUTO RESPIRATORE O2 CIRCUITO CHIUSO ARO



Code	Description
AZ.000.18000	DISPOSITIVO AZIMUTH

JACKET



Code	Description
CS.500.15890	JACKET MONO CAMERA NERO MISURA:S
CS.500.15891	JACKET MONO CAMERA NERO MISURA:M
CS.500.15892	JACKET MONOCAMERA NERO MISURA:L

FIRST AND SECOND STAGE



Cod. articolo	description
CS.200.12261	First stage .M100 STAFFA
CS.200.12262	First stage . M100 DIN
CS.200.12263	Second stage MASTER100 STAFFA
CS.200.12264	Second stage MASTER100 DIN
CS.200.12282	First stage . M300 DIN
CS.200.12289	Second stage MASTER300 DIN
CS.200.12303	First stage M500 YOKE
CS.200.12303DIN	First stage . MASTER500 DIN
CS.200.12307	Second stage MASTER500 DIN
CS.200.12306	Second stageMASTER500 STAFFA
CS.200.12322	Second stage.REGULATIO SUB W/HOSE



REDUCER FOR MUTA O JACKET

Cod. articolo	description
CS.200.12026	AIR MINI REDUCER G5/8 -3/8 UNF
CS.200.12025	Ar-He MINI REDUCER ATT. DIN
CS.300.15660	HOSES JACKET -3/8" UNF 74cm
CS.300.15649	HOSES JACKET -3/8" UNF 56cm

OCTOPUSS



Code	Description
CS.200.12400	OCTOPUS 1°+ 2X2° STADIO + MAN + HOSE JA INT
CS.200.12400DIN	OCTOPUS 1°+ 2X2° STADIO + MAN + HOSE JA DIN



PRESSURE GAUGES

Code	Description
CS.100.15671	GAUGE 0-400bar W/HOSE HP 20cm
CS.100.15675	GAUGE 0-400bar W/HOSE HP 80cm
CS.100.15678	GAUGE+DEPTH GAUGE+COMPASS HOSE HP 80cm
CS.100.15679	GAUGE+DEPTH GAUGE HOSE HP 80cm

PRESSURE MEASUREMENT AND OXYGEN ANALYZER

Cod. articolo	description
CO.629.18148	PRESSURE MEASUREMENT AIR INT
CO.629.18149	PRESSURE MEASUREMENT DIN 200
CO.629.18150	PRESSURE MEASUREMENT DIN 300
CS.200.12300	OXYGEN ANALYZER



The Palm O2 All Oxygen Analyzer is a simple and cost-effective choice FOR to check for oxygen or carbon dioxide in scuba diving SCUBA TANKS. With just two buttons and one-touch calibration, the Palm O2 is easy to use. The analyzer offers up to 18 months of continuous battery life and is available con sensore interno o esterno.

- Measuring range 0-100% O2
- Accuracy di $\pm 2\%$
- 0,50% sensibility (LDL)
- Linearity $\pm 1\%$ under constant conditions
- Ambient inlet pressure o 0,34-2 barg (5-30 psig)
- Reach 0,2-10 NI/min (0,4-20 SCFH)
- Internal or external sensor

HOSE FOR SECOND STAGE



Code	Description
CS.300.15646	HOSES LP 2.1m 1/2" x SECOND STAGE
CS.300.15647	HOSES LP 1m 1/2" x SECOND STAGE
CS.300.15650	HOSES LP 71cm 3/8UNF x SECOND STAGE
CS.300.15651	HOSES LP 90cm 3/8UNF x SECOND STAGE
CS.300.15652	HOSES LP GIALLA 90cm 3/8UNF x SECOND STAGE
CS.300.15653	HOSES LP 5m 3/8UNF x SECOND STAGE
CS.300.15654	HOSES LP 2.1m 3/8UNF x SECOND STAGE
CS.300.15655	HOSES LP NERA 56cm 3/8UNF x SECOND STAGE
CS.300.15656	HOSES LP GIALLA 1.5m 3/8UNF x SECOND STAGE
CS.300.15657	HOSES LP 1m 3/8UNF x SECOND STAGE
CS.300.15658	HOSES LP NERA 62cm 3/8UNF x SECOND STAGE
CS.300.15659	HOSES LP GIALLA 1m 3/8UNF x SECOND STAGE
CS.300.15661	HOSES LP NERA 1.5m 3/8UNF x SECOND STAGE
CS.300.15664	HOSES LP GIALLA 2m 3/8UNF x SECOND STAGE

HOSES FOR JACKET

Code	Description
CS.300.15649	JACKET HOSES -3/8" UNF 56cm
CS.300.15648	JACKET HOSES -3/8" UNF 65cm
CS.300.15660	JACKET HOSES -3/8" UNF 74cm
CS.300.15662	JACKET HOSES -3/8" UNF 90cm
CS.300.15663	JACKET HOSES -3/8" UNF 96cm

HIGH PRESSURE HOSE FOR PRESSURE GAUGE

Code	Description
CS.100.15670	HOSES HIGH PRESSURE X GAUGE 7/16" 7/17 20cm
CS.100.15682	HOSES HIGH PRESSURE X GAUGE 7/16" 7/17 56cm
CS.100.15681	HOSES HIGH PRESSURE X GAUGE 7/16" 7/17 60cm
CS.100.15672	HOSES HIGH PRESSURE X GAUGE 7/16" 7/17 80cm

THERMOPLASTIC HOSES



Code	Description
CS.100.15596	HOSES TERMP 2m 3/16" 1/4"-1/4" 300 bar
CS.100.15596A	HOSES TERMP 3m 3/16" 1/4"-1/4" 300 bar
CS.100.15599	HOSES TERMP 1m 3/16" 1/4"-1/4" PE 300bar
CS.100.15606	HOSES TERMP O,5 MF20 1/8"-1/8" PE 300ba
CS.100.15606A	HOSES TERMP 1MT MF20 1/8"-1/8" PE 300ba
CS.100.15606B	HOSES TER.1,5MT MF20 1/8"-1/8" PE 300ba



SET REFILLING



Cod. articolo	Descrizione
VS.529.10051	SCARICO CON STAFFA SET FRUSTA
VS.529.10052	SCARICO CON STAFFA C/MAN SET FRUSTA



Cod. articolo	Descrizione	Listino
VS.529.10053	SCARICO DIN 5/8 SET FRUSTA	26,00
VS.529.10054	SCARICO DIN 5/8 C/MAN SET FRUSTA	36,00
VS.529.10053NX	SCARICO SET FRUSTA M26+M26	32,00
VS.529.10054NX	SCARICO C/MAN SET FRUSTA 26X2NX-	42,00



Cod. articolo	description
VS.529.10055	SCARICO C/MAN CL.2.5+DIN 5/8"
VS.529.10055A	SCARICO +T PER MAN CL.2.5 RAD.+DIN 5/8"
VS.529.10058	#N/D
VS.529.10056	SCARICO C/MAN CL.1+CHIUS.SET+DIN5/8"
VS.529.10056A	SCARICO C/MAN CL.2,5+CHIUS.SET+DIN5/8"
VS.529.10056B	SCARICO +CHIUS.SET+STAFFA
VS.529.10056C	SCARICO +CHIUS.SET+DIN

Set di SET REFILLING della pressione con connessione DIN200/300 + raccordo con DIN 200/300 sul lato opposto

Code	Description
9410	ADAPTER INT 1/4 FOR HOSES 200bar
9338	ADAPTER DIN 200/300 1/4M FOR HOSES



Cod. articolo	description
VS.916.10664	Val. COMPRESSOR FINAL
VS.916.10664DIN	Val. COMPRESSOR FINAL DIN
VS.916.10664INT	Val. COMPRESSOR FINAL INT



Cod. articolo	description
CS.100.15597	HOSES TERMP 2m ARIA 5/8-ARIA 5/8 C/SCAR
CS.100.15598	HOSES TERMP 1m DIN300-DIN300 C/SC C/MAN
CS.100.15600	HOSES TERMP 1m DIN300-DIN300 C/SCAR
CS.100.15601	HOSES TERMP 2m DIN300-DIN300 C/SCAR
CS.100.15602	HOSES TERMP 2m DIN300-DIN300 C/SC C/MAN
CS.100.15603	HOSES TERMP 1m INT-INT C/SCAR
CS.100.15605	HOSES TERMP 1m INT-INT C/SC C/MAN
CS.100.15604	HOSES INOX 2m DIN200-DIN200 C/SCAR
CS.100.15614	HOSES INOX 1m DIN200-DIN200 C/SCAR



HOSES IN STEEL TEFLON OXYGEN USE



Cod. articolo	description
CS.100.15617	HOSES INOX 3/16" 1m G1/4 - G1/4
CS.100.15618	HOSES INOX 3/16" 1.5m G1/4 - G1/4
CS.100.15619	HOSES INOX 2m G1/4 - G1/5

Tubo ad alta pressione FOR la decantazione di miscele ossigeno/aria. Doppio filetto aisi 304 ad alta resistenza con tubo interno in PTFE con cordino di sicurezza e attacco femmina da 1/4" G.

HOSES IN STEEL WITH SAFETY CABLE



Cod. articolo	description
DFLO20010	Stainless steel hose FOR Oxygen lg.1000 att.1/4 " f. Dx with safety cord
DFLO20015	Stainless steel hose FOR Oxygen lg.1500 att.1/4 " f. Dx with safety cord
DFLO20020	Stainless steel hose FOR Oxygen lg.2000 att.1/4 " f. Dx with safety cord
DFLO20030	Stainless steel hose FOR Oxygen lg.3000 att.1/4 " f. Dx with safety cord






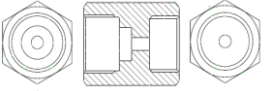
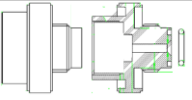
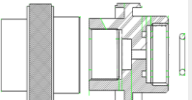
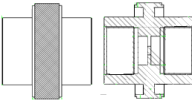
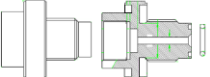
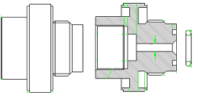
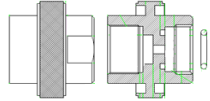
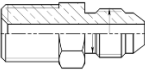
High pressure hose FOR the decantation of oxygen/air mixtures. High resistance AISI 304 double thread with PTFE inner tube with safety cord and 1/4" G female connection.

RAMP AND REDUCER

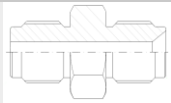




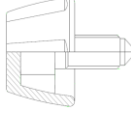
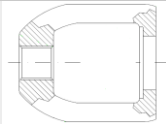
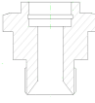




Code	Description
Cod. articolo	description
CO.300.13022	Ramp with 2 seats various gases with shut-off valve att. UNI 11144/2
CO.300.13023	Ramp with 3 seats various gases with shut-off valve att. UNI 11144/2

ACCESSORIES AND CONNECTIONS

Code	Description	
CS.100.10014	SWIVEL TEST ADAPTER 5/8" M INT	
CS.100.10018	INT DIN TO INT ADAPTER 300 BAR	
9410	INT SHANK SET 1/4 FOR HOSES 200bar	
9337	Adapter din 200 1/4M FOR HOSES	
9338	Adapter din 300 1/4M FOR HOSES	
CS.100.10015	ADAPTER 1 INLET 5/8 MALE 2 OUTLET 5/8 FEMALE 200 BAR	
CS.100.10016	ADAPTER 1 INLET 5/8 MALE 2 OUTLET 5/8 FEMALE 300 BAR	
CS.100.10646	ADAPTER 21.7x14F - G5/8F	
CS.100.10647	ADAPTER G5/8M - 21.7x14M	
CS.100.10648	ADAPTER Ar-He-ARIA DIN 200bar	
CS.100.10649	ADAPTER NITROX M26x2 M-ARIA 200bar F	
3700	ADAPTER 21,7 FEMALE-5/8 F	
3701	ADAPTER G3/4F-G5/8 F	
3702	ADAPTER G5/8F-G5/8F	
3703	ADAPTER G5/8F-G5/8F 300 BAR	
3704	ADAPTER M26M-G5/8F	
3705	ADAPTER M26F-G5/8F	
2006	CONNECTION G1/4m - 7/16 FOR HOSES	

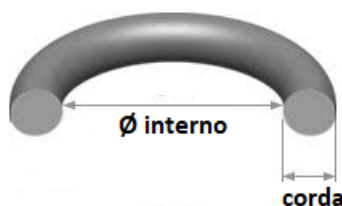


1973	CONNECTION G1/4m – G1/4m FOR HOSES	
1554	RING KNOB DIN 5/8 gas 300 bar	
1554C	RING KNOB DIN 5/8 gas 200 bar	
1428	SHANK O2 I55mm G1/4 FOR HOSES	
1423F	CONNECTION O2 I95mm G1/4 FOR HOSES	
1318	KNOB FOR INT	
1312	INT FOR SECOND STAGE	
1431	ADAPTER A INT FOR HOSES G1/4 200bar	
1454	ADAPTER A INT FOR HOSES GC1/4 200bar	
1374	COPPER RING FOR G1/4 11,5X5X1 mm	

Np = prezzo netto net price



O-RINGS



Cod. articolo	description	Ø interno	corda
OR 22X16X3	O-RING 16X3 NITRILE	16,00	3,00
OR000E	O-RING 000 EPDM 1,42X1,52	1,42	1,52
OR000N	O-RING 000 NITRILE 1,42X1,52	1,42	1,52
OR00E	O-RING 00 EPDM	-	-
OR105E	O-RING OR105 EPDM	6,07	1,78
OR105N	O-RING OR105 NITRILE	6,07	1,78
OR105N90	O-RING OR105 NITRILE 90 SHORE	6,07	1,78
OR105V	O-RING OR105 NITRILE	6,07	1,78
OR106E	O-RING OR106 EPDM	6,75	1,78
OR106V	O-RING OR106 VITON NERO	6,75	1,78
OR107N	O-RING OR107 NITRILE 90 SH	7,65	1,78
OR107V	O-RING OR107 VITON	7,65	1,78
OR110E	O-RING OR110 EPDM	9,25	1,78
OR110N	O-RING OR110 NITRILE 90 SH	9,25	1,78
OR110V	O-RING OR110 VITON	9,25	1,78
OR113E	O-RING OR113 ETILENE PROPILENE	10,77	2,62
OR113N	O-RING OR113 NITRILE	10,77	2,62
OR113V	O-RING OR113 VITON	10,77	2,62
OR113VRIC	O-RING OR113 RICARICA VITON	10,77	2,62
OR116E	O-RING OR116 EPDM 80 SH	12,37	2,62
OR116N	O-RING OR116 NITRILE	12,37	2,62
OR116N90	O-RING OR116 NITRILE 90 SHORE	12,37	2,62
OR116V	O-RING OR116 VITON	12,37	2,62
OR122N	O-RING OR122 NITRILE 3068	17,13	2,62
OR123N	O-RING OR123 NITRILE 90 SH	17,86	2,62
OR123V	O-RING OR123 VITON	17,86	2,62
OR16N	O-RING OR16X3 NITRILE	-	-
OR18X2.5N	O-RING 18X2.5 NITRILE	-	-
OR25X4N	OR 25X4 NITRILE	25,00	4,00
OR3131V	OR3131 VITON 2,62X32,99X38,23	32,99	2,62
ORAN19E	O-RING AN19 EPDM 4100 90 SH	24,99	3,53
ORAN19N	O-RING AN19 NITRILE 4100 90 SH	24,99	3,53
ORAN19V	O-RING AN19 VITON 4100 90 SH	24,99	3,53
ORAN20N	O-RING AN20 NITRILE (4106)	26,57	3,53
ORMS14E	O-RING MS14 EPDM 2050 90 SH.	12,42	1,78
ORMS14N	O-RING MS14 NITRILE 2050 90 SHORE	12,42	1,78
ORMS14V	O-RING MS14 VITON 2050 90 SH.	12,42	1,78

Np = prezzo netto net price



VALVES FOR AIRGUN DIRECT CONNECTION TO SCUBA TANKS



DIRECT FLOW

Code	Description
VS.309.10119	SIDE VALVE SX M25x2 300bar AIRGUN C/MAN E HOSES
VS.309.10119A	SIDE VALVE SX M25x2 200bar AIRGUN C/MAN E HOSES
VS.309.10116	SIDE VALVE SX M18x1.5 300bar AIRGUN C/MAN
VS.309.10116A	SIDE VALVE SX 5/8 unf 300bar AIRGUN C/M BD
VS.309.10116B	SIDE VALVE SX 7/8 unf 300bar AIRGUN C/M BD

CONTROLLED REDUCER FLOW

Code	Description
VS.164.18050	RUB IN LIN VERT .M25X2 300bar AIRGUN
VS.164.18050A	RUB IN LIN VERT .M18X1,5 300bar AIRGUN
VS.164.18048	RUB IN LIN VERT .7/8" UNF 300bar AIRGUN



Code	Description
0302DIN	SET REFILLING CON GAUGE DIN300BAR C/HOSES
0302	SET REFILLING CON GAUGE DIN300BAR



VERTICAL VALVES FOR BREATHING AIR



CODE	Description
VI.123.10745	VAL.E2000 17E ARIA DIN 200bar
VI.123.10747	VAL.E2000 17E ARIA DIN 300bar
VI.123.10756	VAL.E2000 M18x1.5 ARIA DIN 200bar
VI.123.10757	VAL.E2000 M18x1.5 ARIA DIN 300bar
VI.244.20543DIN	VAL.FUTURA 25E ARIA DIN 200bar
VI.244.20545EN	VAL.FUTURA 25E ARIA EN144 300bar
VS.164.18036	VALVE VERT. M25x2 DIN232 bar
VS.164.18035	VALVE VERT M25X2 DIN300 bar
VI.150.10737	VAL.E2000 M18x1.5 ARIA DIN 200bar C/MAN
VI.150.10739	VAL.E2000 M18x1.5 ARIA DIN 300bar C/MAN

SIDE VALVE FOR BREATHING AIR



Cod. articolo	description
VI.150.10737 DPI	REAR KNOBB WITH TOP PROTECTION. M18x1.5 ARIA DIN 200bar DPI
VI.150.10739 DPI	REAR KNOB WITH TOP PROTECTION M18x1.5 ARIA DIN 300bar DPI
VI.151.10756 DPI	SIDE KNOB WITH TOP PROTECTION M18x1.5 ARIA DIN 200bar DPI
VI.151.10757 DPI	SIDE KNOB WITH TOP PROTECTION M18x1.5 ARIA DIN 300bar DPI

SAFETY DIP TUBE



Code	Description
2030	SINTERED FILTER AND CAPS EXTRA FLOW PROTECTION M6X0,75 FOR VALVE
2030A	SINTERED FILTER AND CAPS EXTRA FLOW PROTECTION M8X0,75 FOR VALVE

Limits the output of gases in case of valve rupture

Sintered filter and caps



Cod. articolo	description
1978	DIP TUBE W/BRONZE FILTER
1144	STOPPER G5/8 200Bar
1152	STOPPER G5/8 300 BAR

Np = prezzo netto net price



SAN-O-SUB MBB ITALIA IS A MECHANICAL COMPANY WITH PRODUCTION HEADQUARTERS IN ITALY, FOUNDED IN MILAN IN 1934, FOR THE PRODUCTION OF INDUSTRIAL GEARBOXES, VALVES AND MEDICAL PRODUCTS.



Info: +39 02 4452075
Sales: +39 02 4454057



Via Leonardo da Vinci. 168 -
20090 Trezzano sul Naviglio (Milano)



Info: sanosub@sanosub.com